



# 1-41-1S

## FEATURES

- Capable of 13789,49 N of clamp force
- Lightweight Cast Aluminum
- Square seal piston retraction for constant running clearance
- Three bleeder and inlet options for mount flexibility
- Available for either hydraulic or brake fluid application
- Various brackets available

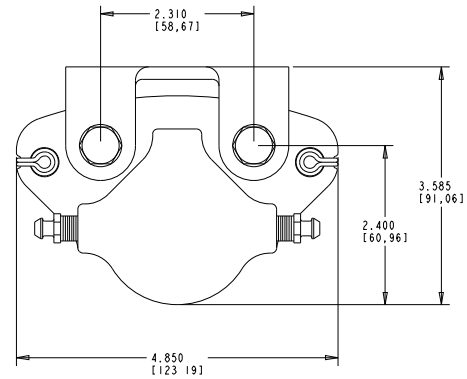


## SPECIFICATIONS

Weight	1,81 Kg
Rotor Thickness	2,54 mm - 9,53 mm
Lining Type	Non-Asbestos Organic, Sintered, Semi-Metallic
Total Lining Area	4709,67 mm <sup>2</sup>
Usable Lining Thickness Per Pad	4,45 mm
Piston Diameter	41,20 mm
Max Pressure	103,42 bar
Fluid Displacement	1327,35 mm <sup>3</sup>
Fluid Type	Brake Fluid, Hydraulic Oil
Fluid Inlet	12:00, 3:00, 9:00
Bleeder	12:00, 3:00, 9:00

Specifications are guidelines only and subject to change. Consult Hayes Performance Systems for specific model, part number, and assembly drawings -contact@hbpsi.com.

## REFERENCE DIMENSIONS



## TORQUE INFORMATION

