



2-41-1S

FEATURES

- Capable of 13789,49 N of clamp force
- Economically constructed with die cast aluminum housing
- Square seal piston retraction for constant running clearance
- Three bleeder and inlet options for mount flexibility
- Utilizes internal transfer port with oring seal
- Available for either hydraulic or brake fluid application
- Top or side mount bracket

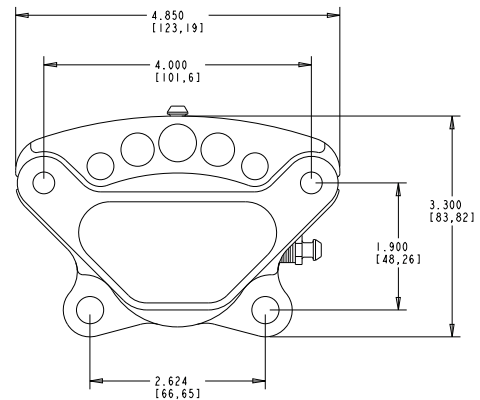


SPECIFICATIONS

Weight	1,81 Kg
Rotor Diameter	152,4 mm - 508 mm
Rotor Thickness	2,54 mm - 9,53 mm
Lining Type	Non-Asbestos Organic, Sintered
Total Lining Area	11161,27 mm ²
Usable Lining Thickness Per Pad	4,45 mm
Piston Diameter	41,20mm
Max Pressure	103,42 bar
Fluid Displacement	2638,32 mm ³
Fluid Type	Brake Fluid, Hydraulic Oil
Fluid Inlet	12:00, 3:00, 9:00
Bleeder	12:00, 3:00, 9:00

Specifications are guidelines only and subject to change. Consult Hayes Performance Systems for specific model, part number, and assembly drawings -contact@hbpsi.com.

REFERENCE DIMENSIONS



TORQUE INFORMATION

