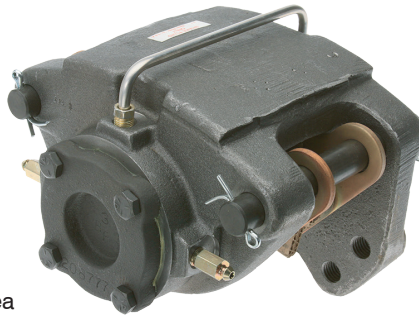


2-660-1S



FEATURES

- // Capable of 4482 N of clamp force
- // Ideal for mount on driveline or in the wheel
- // One piece nodular iron housing
- // Square seal piston retraction for constant running clearance
- // Variety of inlet and bleeder options for mounting flexibility
- // Quick change pads with 154,83 sq. cm of pad area

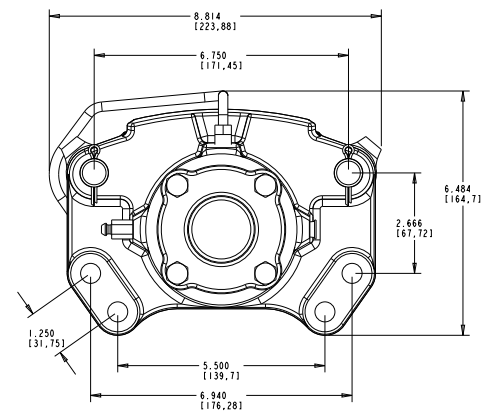


SPECIFICATIONS

WEIGHT	17,69 kg
ROTOR DIAMETER	304,8 mm to 508 mm
ROTOR THICKNESS	12.7 mm to 25.4 mm
LINING TYPE	Sintered, Non-Asbestos Organic
TOTAL LINING AREA	154.84 Sq. cm
USABLE LINING THICKNESS PER PAD	12.7 mm
PISTON DIAMETER	66.04 mm
MAX PRESSURE	124,1 bar
FLUID DISPLACEMENT	6,55 Cu. cm
FLUID TYPE	Brake Fluid, Hydraulic Oil
FLUID INLET	12:00, 3:00, 9:00
BLEEDER	12:00, 3:00, 9:00

Specifications are guidelines only and subject to change. Consult Hayes Performance Systems for specific model, part number, and assembly drawings - contact@hbpsi.com.

REFERENCE DIMENSIONS



TORQUE INFORMATION

