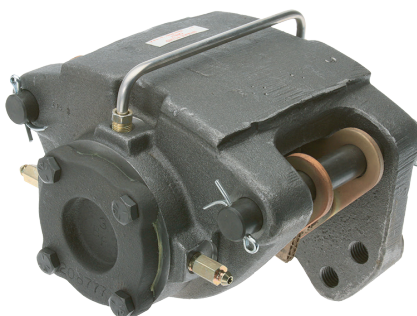


# 2-660-1S



## FEATURES

- // Capable of 10,000 Lbs. of clamp force
- // Ideal for mount on driveline or in the wheel
- // One piece nodular iron housing
- // Square seal piston retraction for constant running clearance
- // Variety of inlet and bleeder options for mounting flexibility
- // Quick change pads with 24 sq. in. of pad area

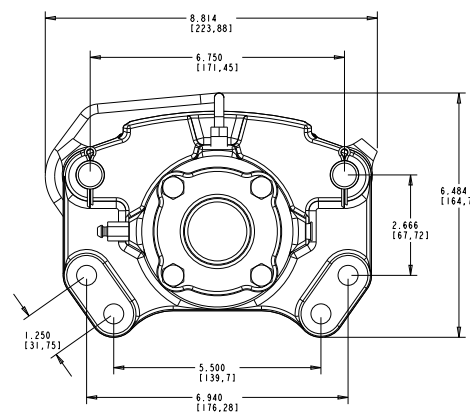


## SPECIFICATIONS

WEIGHT	39 Lbs.
ROTOR DIAMETER	12" - 20"
ROTOR THICKNESS	.500 To 1.0
LINING TYPE	Sintered, Non-Asbestos Organic
TOTAL LINING AREA	24 Sq. In.
USABLE LINING THICKNESS PER PAD	.5"
PISTON DIAMETER	2.6"
MAX PRESSURE	1800 Psi
FLUID DISPLACEMENT	.40 Cu. In.
FLUID TYPE	Brake Fluid, Hydraulic Oil
FLUID INLET	12:00, 3:00, 9:00
BLEEDER	12:00, 3:00, 9:00

Specifications are guidelines only and subject to change. Consult Hayes Performance Systems for specific model, part number, and assembly drawings - contact@hbpsi.com.

## REFERENCE DIMENSIONS



## TORQUE INFORMATION

