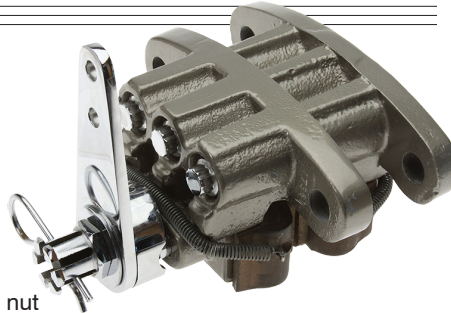


610M



FEATURES

- // Capable of 7,000 lbs. of clamp force
- // Cast nodular iron housing
- // Designed for quick change friction pads
- // Unique dual mounting lugs permit either fixed or floating mounts
- // Pad wear adjustment quickly completed by removal of cotter pin and adjustment to takeup nut
- // Quick rise on cam for maximum lever efficiency
- // Both CW and CCW lever actuation

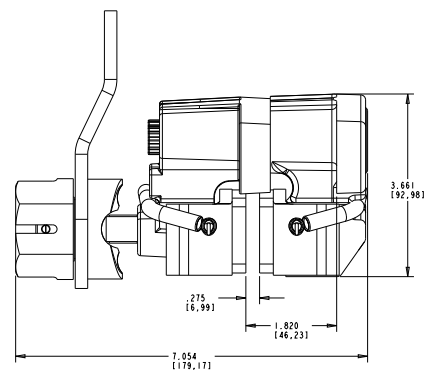
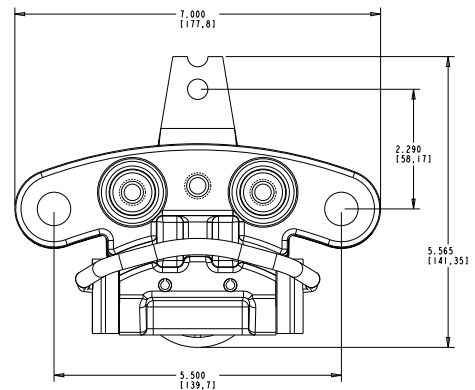


SPECIFICATIONS

WEIGHT	13.75 Lbs.
ROTOR DIAMETER	10" - 30"
ROTOR THICKNESS	.375" - .100"
LINING TYPE	Sintered, Non-Asbestos Organic
TOTAL LINING AREA	9 Sq. In.
USABLE LINING THICKNESS PER PAD	.29"

Specifications are guidelines only and subject to change. Consult Hayes Performance Systems for specific model, part number, and assembly drawings - contact@hbpsi.com.

REFERENCE DIMENSIONS



TORQUE INFORMATION

