

# M100HM



## FEATURES

- // Capable of 44482 N of clamp force
- // Sealed actuation mechanism
- // Self adjusting mechanism minimizes maintenance for pad wear
- // Quick change brake pads, retained by mount pins
- // Nodular cast iron housing
- // Splined actuator lever can be positioned in 30° increments
- // Choice of CW or CCW lever actuation

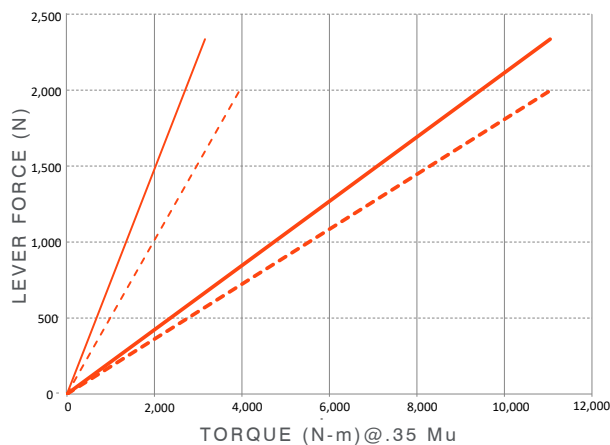


## SPECIFICATIONS

WEIGHT	9,75 kg
ROTOR DIAMETER	254 mm - 762 mm
ROTOR THICKNESS	12,7 mm - 25,4 mm "
LINING TYPE	Non-Asbestos Organic, Sintered
TOTAL LINING AREA	90,32 Sq. cm
USABLE LINING THICKNESS PER PAD	8,46 mm

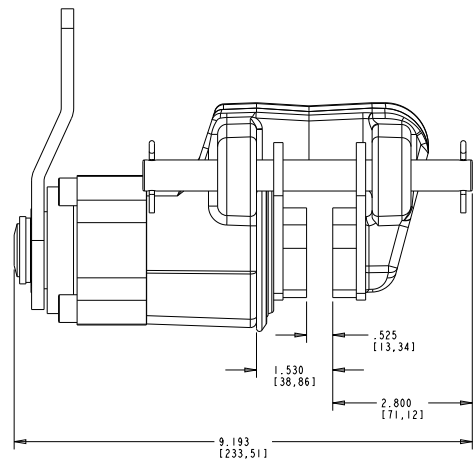
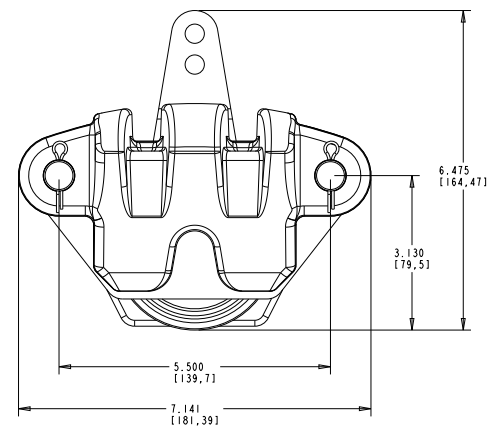
Specifications are guidelines only and subject to change. Consult Hayes Performance Systems for specific model, part number, and assembly drawings - contact@hbpsi.com.

## TORQUE INFORMATION



- Dia= 254 mm, Lever length = 95.25 mm
- Dia= 762 mm, Lever length = 95.25 mm
- - - Dia= 254 mm, Lever length = 111.125 mm
- - - Dia= 762 mm, Lever length = 111.125 mm

## REFERENCE DIMENSIONS



hayesbrake.com | 5800 W. Donges Bay Road, Mequon, WI 53092