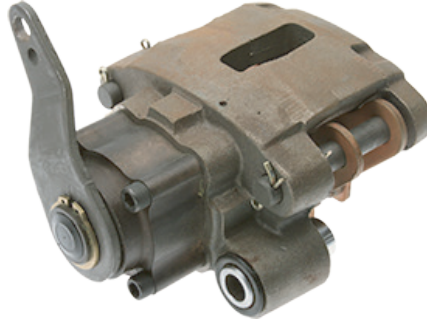


M100LM



FEATURES

- // Capable of 10,000 Lbs. of clamp force
- // Fully sealed ball ramp mechanism
- // Self adjusting mechanism minimizes maintenance for pad wear
- // Nodular cast iron housing
- // Splined actuator lever can be positioned in 30° increments
- // Choice of CW or CCW lever actuation
- // Supplied with mount bolts and sealed and lubricated slider pins

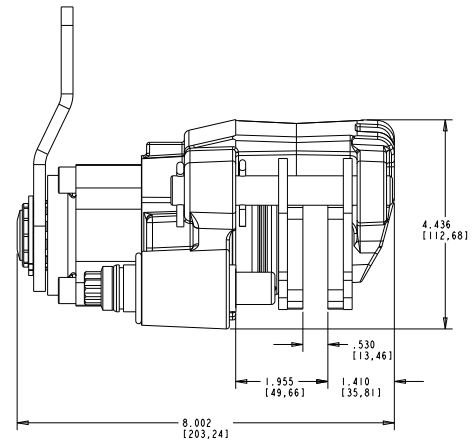
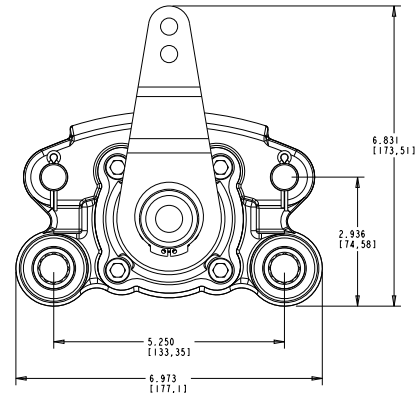


SPECIFICATIONS

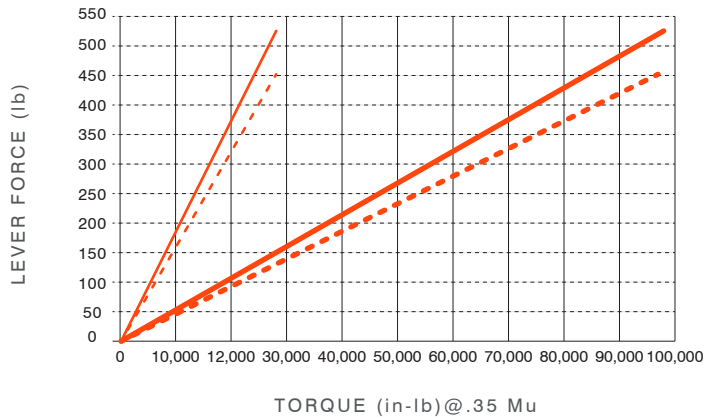
WEIGHT	21.0 Lbs.
ROTOR DIAMETER	10" - 20"
ROTOR THICKNESS	.50" - 1.0"
LINING TYPE	Non-Asbestos Organic, Sintered
TOTAL LINING AREA	14.8 Sq. In.
USABLE LINING THICKNESS PER PAD	.470"

Specifications are guidelines only and subject to change. Consult Hayes Performance Systems for specific model, part number, and assembly drawings - contact@hbpsi.com.

REFERENCE DIMENSIONS



TORQUE INFORMATION



- Dia = 10 in, Lever length = 3.75 in
- Dia = 30 in, Lever length = 3.75 in
- - - Dia = 10 in, Lever length = 4.375 in
- - - Dia = 30 in, Lever length = 4.375 in