

# V-32

TWIN PISTON OPPOSED CALIPER



## FEATURES

- // 2 piece aluminum construction
- // Flexible banjo and bleeder port options
- // Multiple piston material options

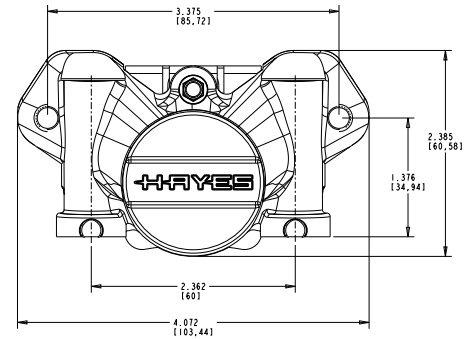


## SPECIFICATIONS

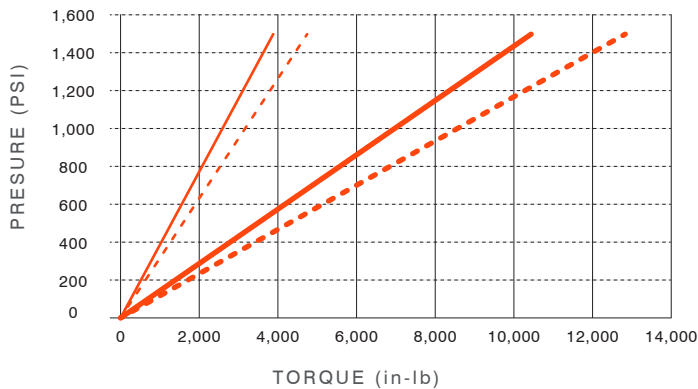
WEIGHT	1.28 Lbs.
ROTOR THICKNESS	.156" To .250"
LINING TYPE	Sintered
PISTON DIAMETER	1.25"
MAX PRESSURE	1500 Psi
FLUID TYPE	Brake Fluid
FLUID INLET	2:00, 10:00
BLEEDER	2:00, 10:00
ROTOR DIAMETER	5" To 15"

Specifications are guidelines only and subject to change. Consult Hayes Performance Systems for specific model, part number, and assembly drawings - contact@hbpsi.com

## REFERENCE DIMENSIONS



## TORQUE INFORMATION



- Dia = 6 in, Mu=.45
- - - Dia = 14 in, Mu=.45
- · · Dia = 6 in, Mu=.55
- · - · Dia = 14 in, Mu=.55

