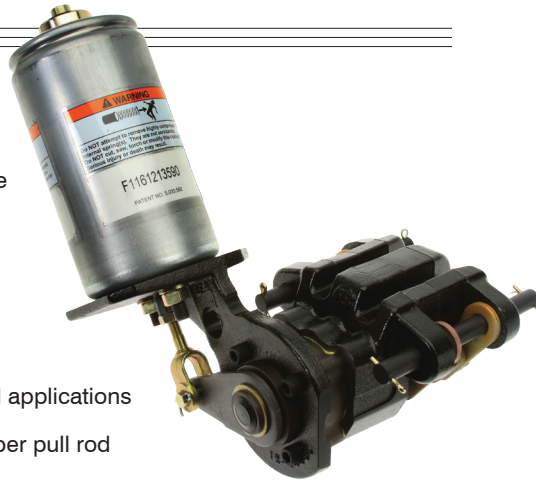


M100SH



FEATURES

- // Capable of 10,000 Lbs. of clamp force
- // Self adjusting for friction pad wear
- // Fully assembled with spring chamber capable of being rotated in 90 degree increments
- // Quick change pads, retained by mount pins
- // Fully sealed internal ball ramp mechanism
- // Capable of a 40 millisecond response time
- // Spring will have less than 2% creep in normal applications
- // Mechanical release using a wrench on chamber pull rod

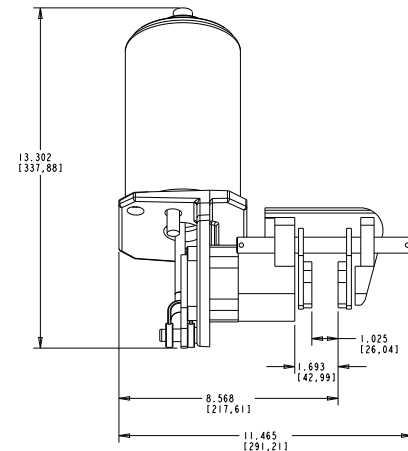
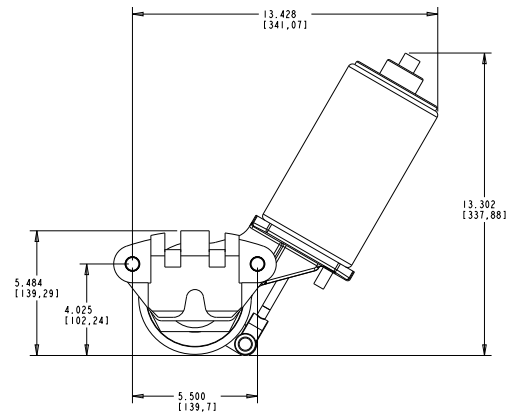


SPECIFICATIONS

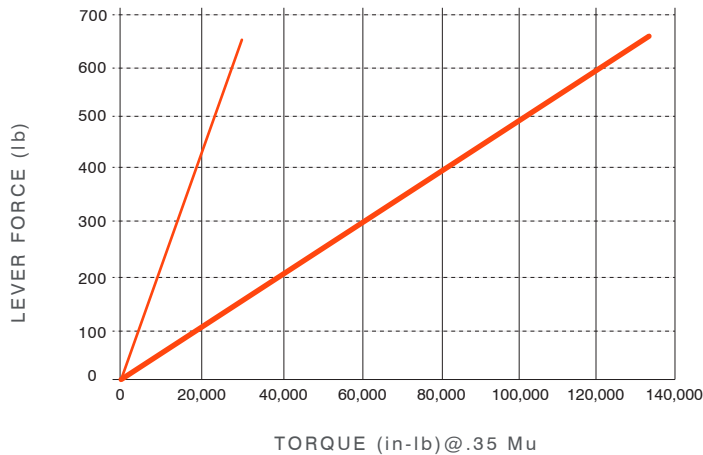
WEIGHT	48 Lbs.
ROTOR DIAMETER	10" - 40"
ROTOR THICKNESS	.500" - 1.0"
LINING TYPE	Non-Asbestos Organic, Sintered
TOTAL LINING AREA	14.8 Sq. In.
USABLE LINING THICKNESS PER PAD	.470"

Specifications are guidelines only and subject to change. Consult Hayes Performance Systems for specific model, part number, and assembly drawings - contact@hbpsi.com.

REFERENCE DIMENSIONS



TORQUE INFORMATION



- Dia = 10 in, Lever length = 3 in
- Dia = 40 in, Lever length = 3 in