

1-663-1SA



FEATURES

- // Capable of 44482 N of service clamp force, and 44482 N of mechanical clamp force
- // Ideal for mount on driveline or in the wheel
- // One piece nodular iron housing
- // Square seal piston retraction for constant running clearance
- // Integral secondary/park brake self adjusts for pad wear
- // Choice of CW or CCW lever actuation
- // Variety of inlet and bleeder options for mounting flexibility
- // Supplied with mount bolts and sealed and lubricated slider pins
- // Quick change pads

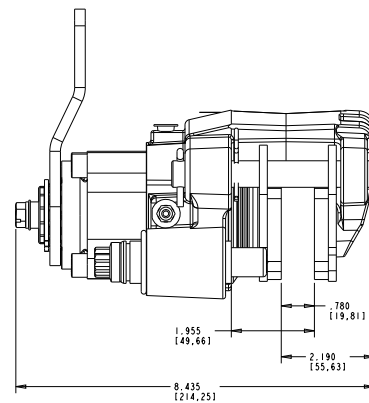
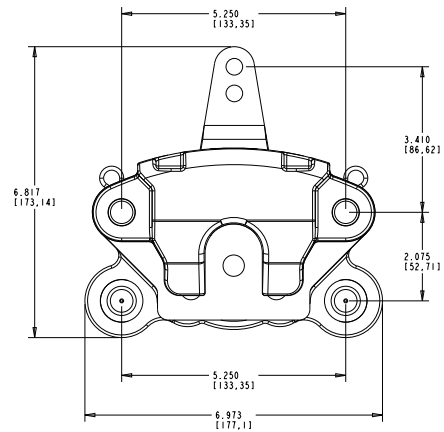


SPECIFICATIONS

WEIGHT	9,53 kg
ROTOR DIAMETER	254 mm - 508 mm
LINING TYPE	Non-Asbestos Organic, Sintered, Semi-Metallic
TOTAL LINING AREA	93,55 Sq. cm
USABLE LINING THICKNESS PER PAD	8,33 mm
PISTON DIAMETER	66,06 mm
MAX PRESSURE	136,90 Bar
FLUID DISPLACEMENT	2,28 Cu. cm
FLUID TYPE	Brake Fluid, Hydraulic Oil
FLUID INLET	12:00, 3:00, 9:00
BLEEDER	12:00, 3:00, 9:00

Specifications are guidelines only and subject to change. Consult Hayes Performance Systems for specific model, part number, and assembly drawings - contact@hbpsi.com.

REFERENCE DIMENSIONS



TORQUE INFORMATION

