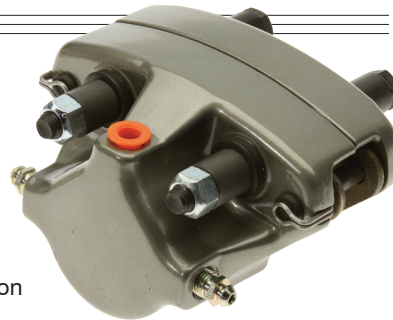




1-41-1S

FEATURES

- // Capable of 3100 lbs. of clamp force
- // Lightweight Cast Aluminum
- // Square seal piston retraction for constant running clearance
- // Three bleeder and inlet options for mount flexibility
- // Available for either hydraulic or brake fluid application
- // Various brackets available

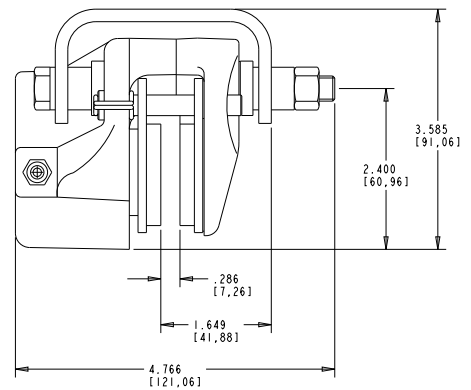
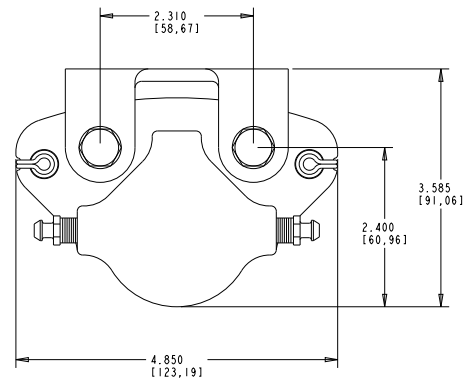


SPECIFICATIONS

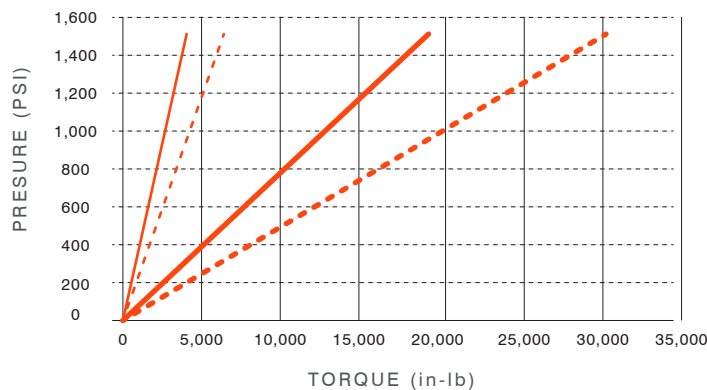
WEIGHT	4 Lbs.
ROTOR THICKNESS	.100" - .375"
LINING TYPE	Non-Asbestos Organic, Sintered, Semi-Metallic
TOTAL LINING AREA	7.30 Sq. In.
USABLE LINING THICKNESS PER PAD	.175"
PISTON DIAMETER	1.622"
MAX PRESSURE	1500 Psi
FLUID DISPLACEMENT	.081 Cu.in.
FLUID TYPE	Brake Fluid, Hydraulic Oil
FLUID INLET	12:00, 3:00, 9:00
BLEEDER	12:00, 3:00, 9:00

Specifications are guidelines only and subject to change. Consult Hayes Performance Systems for specific model, part number, and assembly drawings - contact@hbpsi.com.

REFERENCE DIMENSIONS



TORQUE INFORMATION



- Dia = 6 in, Mu = .35
- Dia = 20 in, Mu = .35
- - - Dia = 6 in, Mu = .55
- - - Dia = 20 in, Mu = .55