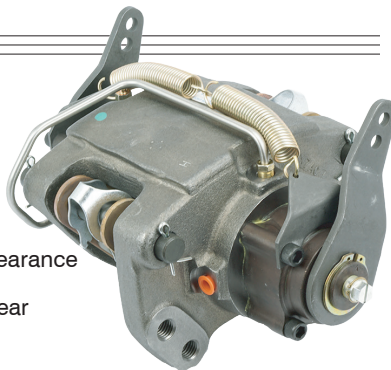


2-660-1SA



FEATURES

- // Capable of 10,000 Lbs. of service clamp force, and 10,000 Lbs. of mechanical clamp force
- // Ideal for fixed mount on driveline
- // One piece nodular iron housing
- // Square seal piston retraction for constant running clearance
- // Integral secondary/park brake self adjusts for pad wear
- // CW or CCW park brake lever actuation
- // Variety of inlet and bleeder options for mounting flexibility
- // Quick change pads

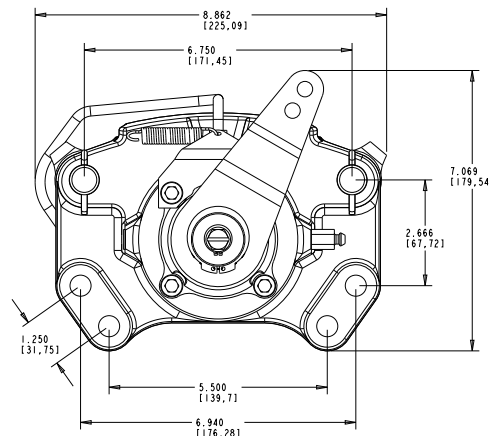


SPECIFICATIONS

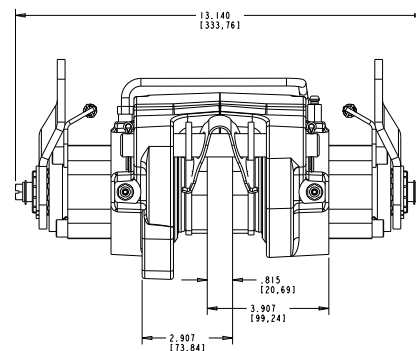
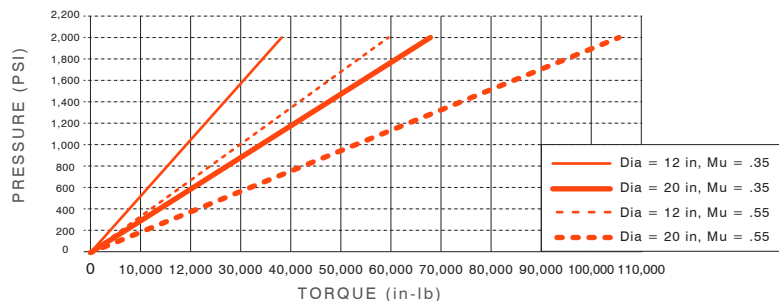
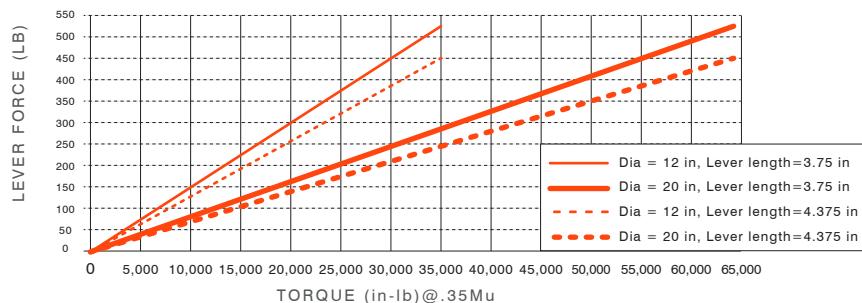
WEIGHT	46 Lbs.
ROTOR DIAMETER	12 To 20 In.
ROTOR THICKNESS	.50 To 1.0 In.
LINING TYPE	Sintered, Non-Asbestos Organic
TOTAL LINING AREA	24 Sq. In.
USABLE LINING THICKNESS PER PAD	.50 In.
PISTON DIAMETER	2.6 In.
MAX PRESSURE	2000 Psi
FLUID DISPLACEMENT	.40 Cu. In.
FLUID TYPE	Brake Fluid, Hydraulic Oil
FLUID INLET	12:00, 3:00, 9:00
BLEEDER	12:00, 3:00, 9:00

Specifications are guidelines only and subject to change. Consult Hayes Performance Systems for specific model, part number, and assembly drawings - contact@hbpsi.com.

REFERENCE DIMENSIONS



TORQUE INFORMATION



hayesbrake.com | 5800 W. Donges Bay Road, Mequon, WI 53092