

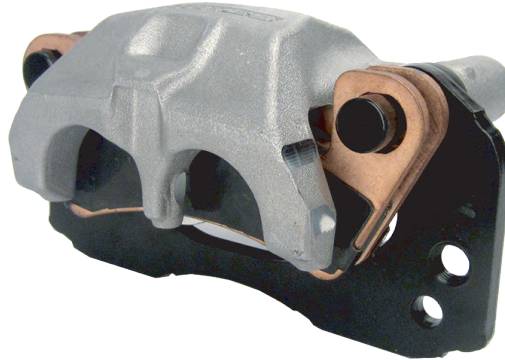


RAMPAGE – TWIN PISTON 1.125”

HEAVY DUTY FLOATING CALIPER

FEATURES

- // Modular product family (Titan, Rampage, Stinger)
- // Same mount pattern for all calipers

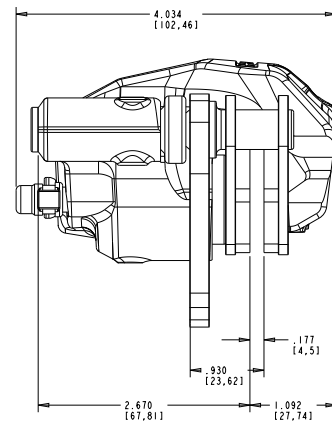
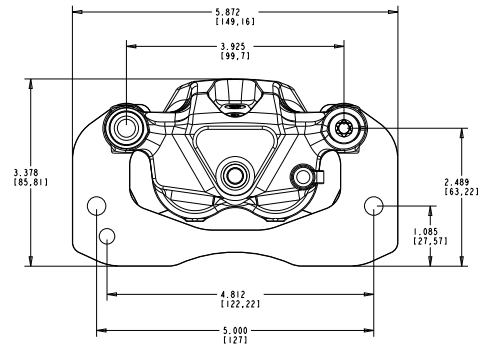


SPECIFICATIONS

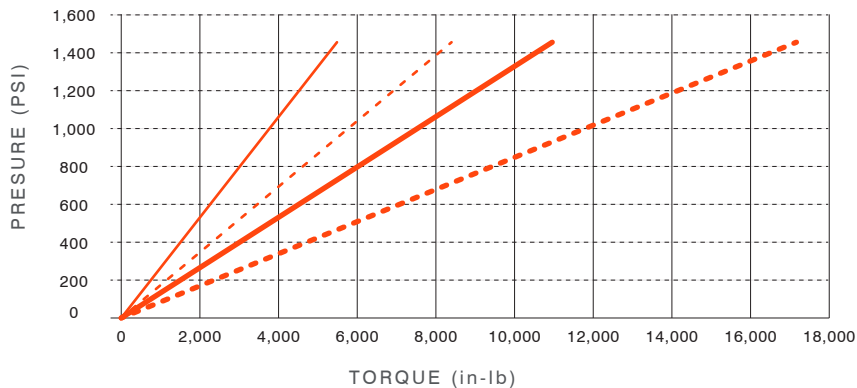
ROTOR DIAMETER	6.5" - 22.25"
ROTOR THICKNESS	0.157" - 0.250"
LINING TYPE	Sintered, Non-Asbestos Organic
USABLE LINING THICKNESS PER PAD	0.151"
PISTON DIAMETER	Twin Piston 1.125"
MAX PRESSURE	1450 Psi
FLUID TYPE	Brake Fluid
BLEEDER	3:00, 9:00
FLUID INLET	Center

Specifications are guidelines only and subject to change. Consult Hayes Performance Systems for specific model, part number, and assembly drawings - contact@hbpsi.com

REFERENCE DIMENSIONS



TORQUE INFORMATION



- Dia = 6.5 in, Mu=.35
- Dia = 12 in, Mu=.35
- - - Dia = 6.5 in, Mu=.55
- - - Dia = 12 in, Mu=.55