

2-41-1S



FEATURES

- // Capable of 3,100 lbs of clamp force
- // Economically constructed with die cast aluminum housing
- // Square seal piston retraction for constant running clearance
- // Three bleeder and inlet options for mount flexibility
- // Utilizes internal transfer port with oring seal
- // Available for either hydraulic or brake fluid application
- // Top or side mount bracket

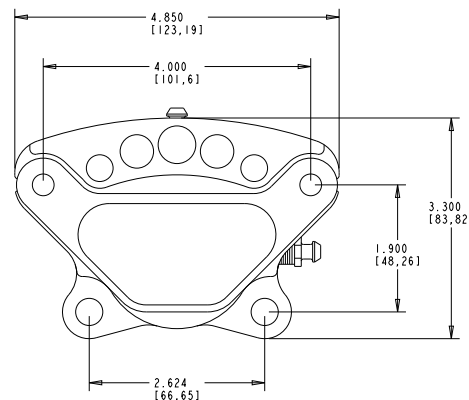


SPECIFICATIONS

WEIGHT	4 Lbs.
ROTOR DIAMETER	6" - 20"
ROTOR THICKNESS	.100" - .375"
LINING TYPE	Non-Asbestos Organic, Sintered
TOTAL LINING AREA	17.30 Sq. In.
USABLE LINING THICKNESS PER PAD	.175"
PISTON DIAMETER	1.622"
MAX PRESSURE	1500 Psi
FLUID DISPLACEMENT	.161 Cu. In.
FLUID TYPE	Brake Fluid, Hydraulic Oil
FLUID INLET	12:00, 3:00, 9:00
BLEEDER	12:00, 3:00, 9:00

Specifications are guidelines only and subject to change. Consult Hayes Performance Systems for specific model, part number, and assembly drawings - contact@hbpsi.com.

REFERENCE DIMENSIONS



TORQUE INFORMATION

