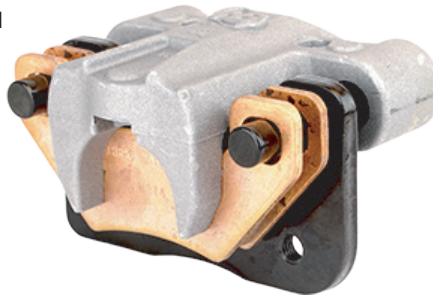


LIGHTNING 1.25"



FEATURES

- // Compact size ideal for mounting inside the wheel
- // One piece lightweight cast aluminum housing
- // Square seal piston retraction for constant running clearance
- // Long-lasting quick change pads

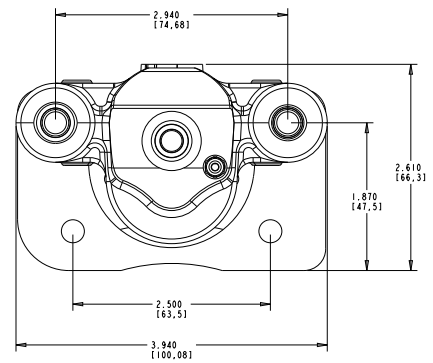


SPECIFICATIONS

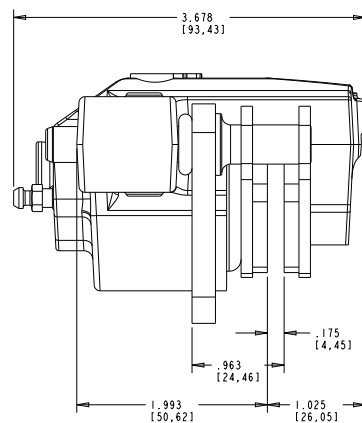
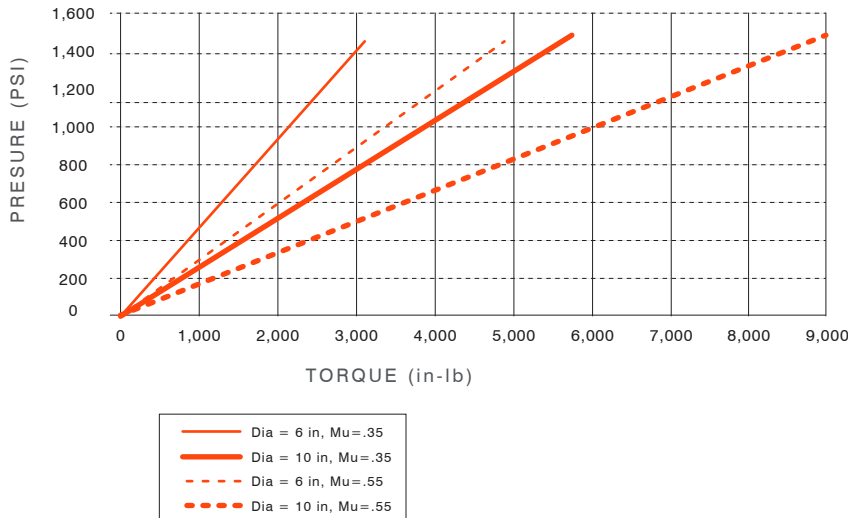
WEIGHT	1.8 Lbs.
ROTOR THICKNESS	0.156" - 0.250"
LINING TYPE	Semi-Metallic, Sintered, Non-Asbestos Organic
PISTON DIAMETER	1.25"
MAX PRESSURE	1500 Psi
FLUID TYPE	Brake Fluid
BLEEDER	3:00, 9:00
FLUID INLET	Center

Specifications are guidelines only and subject to change. Consult Hayes Performance Systems for specific model, part number, and assembly drawings - contact@hbpsi.com

REFERENCE DIMENSIONS



TORQUE INFORMATION



hayesbrake.com | 5800 W. Donges Bay Road, Mequon, WI 53092