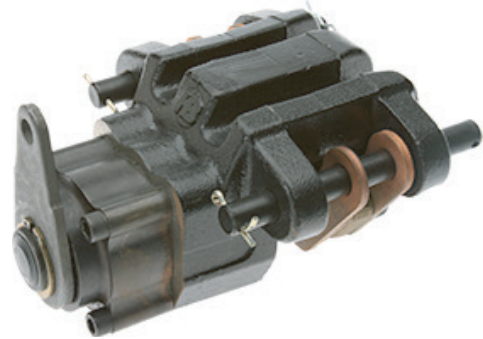




M100HM

FEATURES

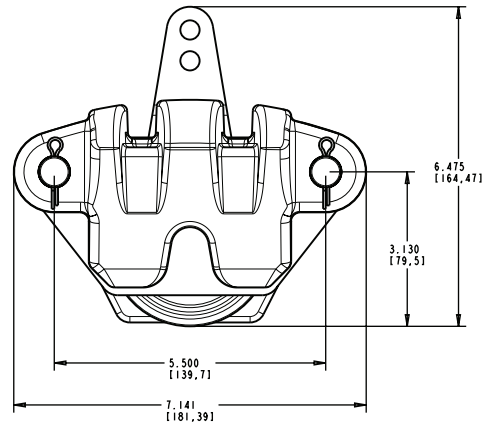
- Capable of 10,000 Lbs. of clamp force
- Sealed actuation mechanism
- Self adjusting mechanism minimizes maintenance for pad wear
- Quick change brake pads, retained by mount pins
- Nodular cast iron housing
- Splined actuator lever can be positioned in 30° increments
- Choice of CW or CCW lever actuation



SPECIFICATIONS

Weight	9.75 Kg
Rotor Diameter	254 mm - 762 mm
Rotor Thickness	12.70 mm - 25.4 mm
Lining Type	Non-Asbestos Organic, Sinistered
Total Lining Area	9032 sq. mm
Usable Lining Thickness Per Pad	8.46 mm

REFERENCE DIMENSIONS



TORQUE INFORMATION

