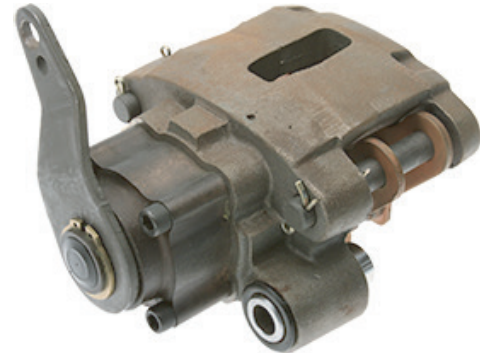




M100LM

FEATURES

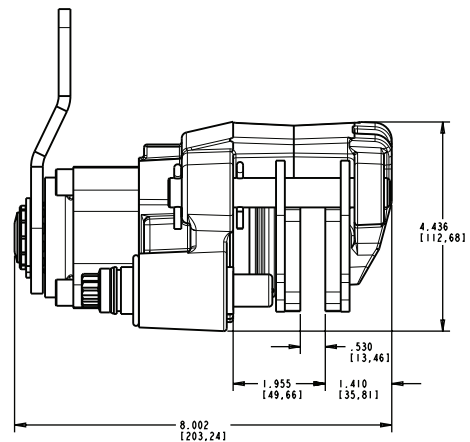
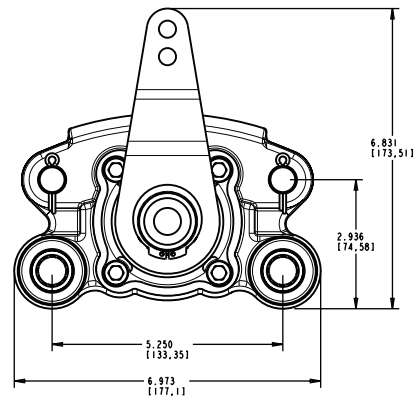
- Capable of 44482 N of clamp force
- Fully sealed ball ramp mechanism
- Self adjusting mechanism minimizes maintenance for pad wear
- Nodular cast iron housing
- Splined actuator lever can be positioned in 30o increments
- Choice of CW or CCW lever actuation
- Supplied with mount bolts and sealed and lubricated slider pins



SPECIFICATIONS

Weight	9.53 Kg
Rotor Diameter	254 mm - 508 mm
Rotor Thickness	12.7 mm - 25.4 mm
Lining Type	Non-Asbestos Organic, Sinistered
Total Lining Area	9548 Sq. mm
Usable Lining Thickness Per Pad	11.94 mm

REFERENCE DIMENSIONS



TORQUE INFORMATION