



# M90

## FEATURES

- Capable of 40050 N of clamp force
- One piece cast iron housing
- Efficient ball ramp actuation
- Sealed actuation mechanism
- High coefficient friction material
- Durable, low cost mount with sealed bushings
- Pads changed by removing one mount bolt
- Capable of parking a wide range of vehicles
- Choice of CW or CCW lever actuation

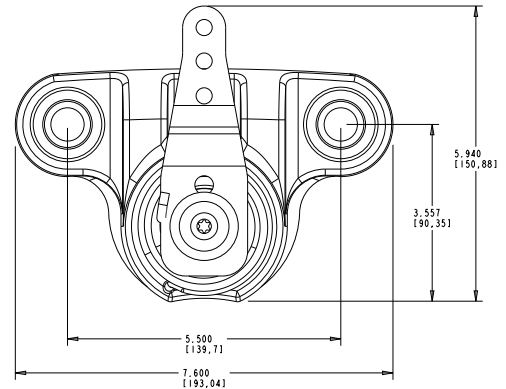


## SPECIFICATIONS

Weight	5.90 Kg
Rotor Diameter	254 mm - 457.2 mm
Rotor Thickness	9.53 mm - 25.4 mm
Lining Type	Non-Asbestos Organic, Sinistered
Total Lining Area	5806 Sq .mm
Usable Lining Thickness Per Pad	3.18 mm

Specifications are guidelines only and subject to change. Consult Hayes Performance Systems for specific model, part number, and assembly drawings -contact@hbpsi.com.

## REFERENCE DIMENSIONS



## TORQUE INFORMATION

