

M90



FEATURES

- // Capable of 9,000 lbs. of clamp force
- // One piece cast iron housing
- // Efficient ball ramp actuation
- // Sealed actuation mechanism
- // High coefficient friction material
- // Durable, low cost mount with sealed bushings
- // Pads changed by removing one mount bolt
- // Capable of parking a wide range of vehicles
- // Choice of CW or CCW lever actuation

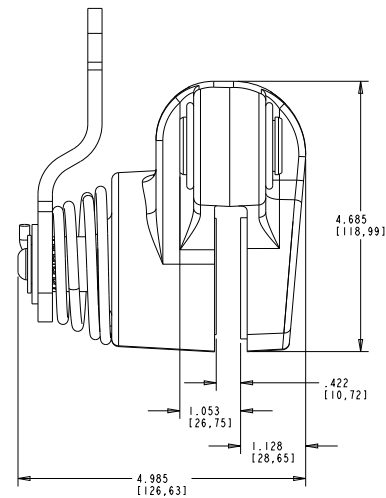
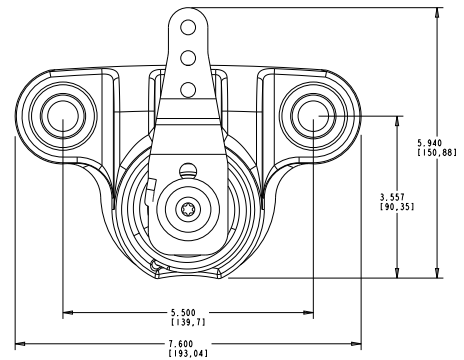


SPECIFICATIONS

| | |
|---------------------------------|---|
| WEIGHT | 13 Lbs. |
| ROTOR DIAMETER | 10" To 18" |
| ROTOR THICKNESS | .375" To 1.00" |
| LINING TYPE | Non-Asbestos Organic, Semi-Metallic, Sintered |
| TOTAL LINING AREA | 9 Sq. In. |
| USABLE LINING THICKNESS PER PAD | .125" |

Specifications are guidelines only and subject to change. Consult Hayes Performance Systems for specific model, part number, and assembly drawings - contact@hbpsi.com.

REFERENCE DIMENSIONS



TORQUE INFORMATION

