



# M90

## FEATURES

- Capable of 9,000 lbs. of clamp force
- One piece cast iron housing
- Efficient ball ramp actuation
- Sealed actuation mechanism
- High coefficient friction material
- Durable, low cost mount with sealed bushings
- Pads changed by removing one mount bolt
- Capable of parking a wide range of vehicles
- Choice of CW or CCW lever actuation

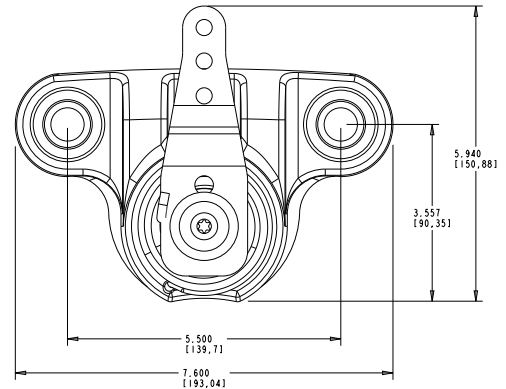


## SPECIFICATIONS

Weight	13 Lbs.
Rotor Diameter	10" - 18"
Rotor Thickness	.375" - 1.00"
Lining Type	Non-Asbestos Organic, Sinistered
Total Lining Area	9 Sq. In.
Usable Lining Thickness Per Pad	.125"

Specifications are guidelines only and subject to change. Consult Hayes Performance Systems for specific model, part number, and assembly drawings -contact@hbpsi.com.

## REFERENCE DIMENSIONS



## TORQUE INFORMATION

