



RAMPAGE – TWIN PISTON 1.125”

FEATURES

- Modular product family (Titan, Rampage, Stinger)
- Same mount pattern for all calipers

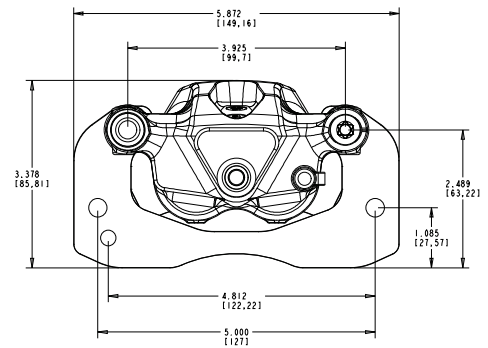


SPECIFICATIONS

Rotor Diameter	165,1 mm - 565,15 mm
Rotor Thickness	3,99 mm - 6,35 mm
Lining Type	Sintered, Non-Asbestos Organic
Usable Lining Thickness Per Pad	3,84 mm
Piston Diameter	Twin Piston 28,58 mm
Max Pressure	99,97 bar
Fluid Type	Brake Fluid
Bleeder	3:00, 9:00
Fluid Inlet	Center

Specifications are guidelines only and subject to change. Consult Hayes Performance Systems for specific model, part number, and assembly drawings -contact@hbpsi.com.

REFERENCE DIMENSIONS



TORQUE INFORMATION

