

# TITAN – DUAL PISTON 1.375”

HEAVY DUTY FLOATING CALIPER



## FEATURES

- // Modular product family (Titan, Rampage, Stinger)
- // Same mount pattern for all calipers
- // Capable of 4306.5 lbs. clamp force

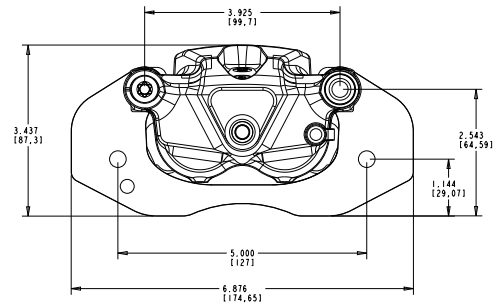


## SPECIFICATIONS

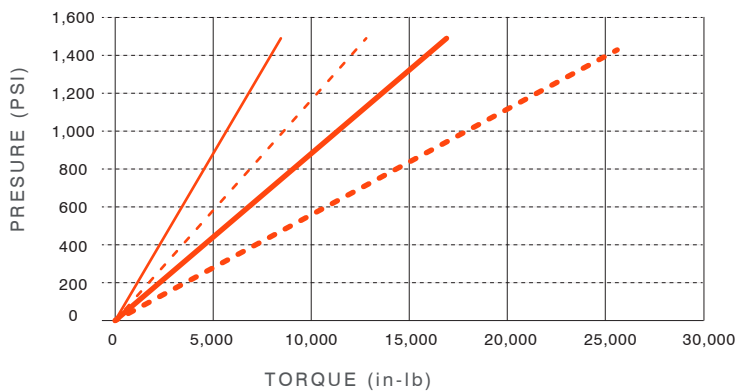
ROTOR THICKNESS	.157" - .250"
LINING TYPE	Sintered, Non-Asbestos Organic
USABLE LINING THICKNESS PER PAD	.151"
PISTON DIAMETER	1.375"
MAX PRESSURE	1450 Psi
FLUID TYPE	Brake Fluid
FLUID INLET	Center
BLEEDER	3:00, 9:00
ROTOR DIAMETER	6.5" – 22.25"

Specifications are guidelines only and subject to change. Consult Hayes Performance Systems for specific model, part number, and assembly drawings - contact@hbpsi.com

## REFERENCE DIMENSIONS



## TORQUE INFORMATION



- Dia = 6.5 in, Mu=.35
- Dia = 12 in, Mu=.35
- - - Dia = 6.5 in, Mu=.55
- - - Dia = 12 in, Mu=.55

