



# V32

## FEATURES

- 2 piece aluminum construction
- Flexible banjo and bleeder port options
- Multiple piston material options

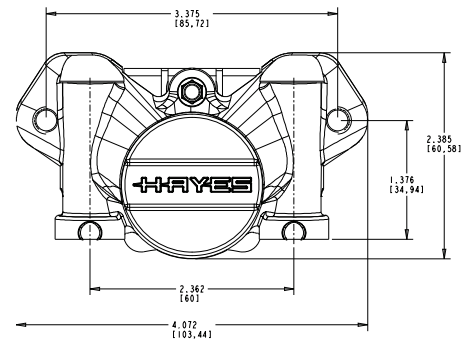


## SPECIFICATIONS

|                 |                    |
|-----------------|--------------------|
| Rotor Thickness | 3,96 mm To 6,35 mm |
| Weight          | 0,58 Kg            |
| Lining Type     | Sintered           |
| Piston Diameter | 32 mm              |
| Max Pressure    | 103,42 bar         |
| Fluid Type      | Brake Fluid        |
| Fluid Inlet     | 2:00, 10:00        |
| Bleeder         | 2:00, 10:00        |
| Rotor Diameter  | 127 mm - 381 mm    |

Specifications are guidelines only and subject to change. Consult Hayes Performance Systems for specific model, part number, and assembly drawings -contact@hbpsi.com.

## REFERENCE DIMENSIONS



## TORQUE INFORMATION

