



X32

FEATURES

- 2 piece aluminum construction
- Motorcycle industry standard (100mm x 30mm) caliper mount
- Multiple piston material options

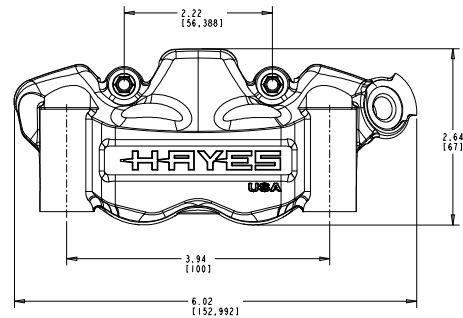


SPECIFICATIONS

| | |
|---------------------------------|----------------------|
| Weight | 1,07 Kg |
| Lining Type | Sintered |
| Total Lining Area | 2116 mm ² |
| Usable Lining Thickness Per Pad | 4,39 mm |
| Piston Diameter | Twin Opposed 32 mm |
| Fluid Type | Brake Fluid |
| Fluid Inlet | 3:00, 9:00 |
| Bleeder | Banjo Bleeder |
| Rotor Diameter | 152,4 mm – 355,6 mm |

Specifications are guidelines only and subject to change. Consult Hayes Performance Systems for specific model, part number, and assembly drawings -contact@hbpsi.com.

REFERENCE DIMENSIONS



TORQUE INFORMATION

