

# TITAN – DUAL PISTON 1.25”

HEAVY DUTY FLOATING CALIPER



## FEATURES

- // Modular product family (Titan, Rampage, Stinger)
- // Same mount pattern for all calipers
- // Capable of 3560 lbs. clamp force

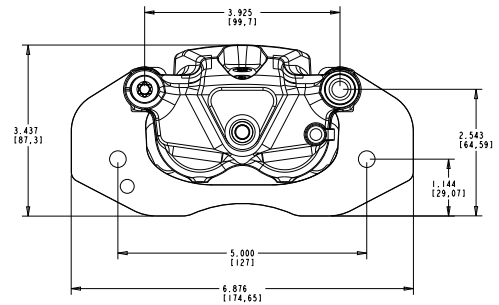


## SPECIFICATIONS

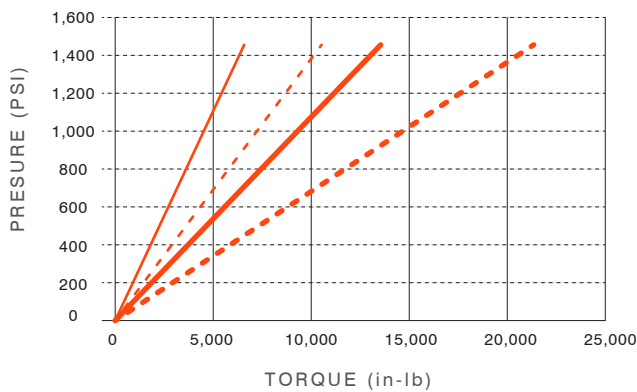
|                                 |                                |
|---------------------------------|--------------------------------|
| ROTOR THICKNESS                 | .157" - .250"                  |
| LINING TYPE                     | Sintered, Non-Asbestos Organic |
| USABLE LINING THICKNESS PER PAD | .151"                          |
| PISTON DIAMETER                 | 1.25"                          |
| MAX PRESSURE                    | 1450 Psi                       |
| FLUID TYPE                      | Brake Fluid                    |
| FLUID INLET                     | Center                         |
| BLEEDER                         | 3:00, 9:00                     |
| ROTOR DIAMETER                  | 6.5" – 22.25"                  |

Specifications are guidelines only and subject to change. Consult Hayes Performance Systems for specific model, part number, and assembly drawings - contact@hbpsi.com

## REFERENCE DIMENSIONS



## TORQUE INFORMATION



- Dia = 6.5 in, Mu=.35
- Dia = 12 in, Mu=.35
- - - Dia = 6.5 in, Mu=.55
- - - Dia = 12 in, Mu=.55

